

Resilmount A237CR

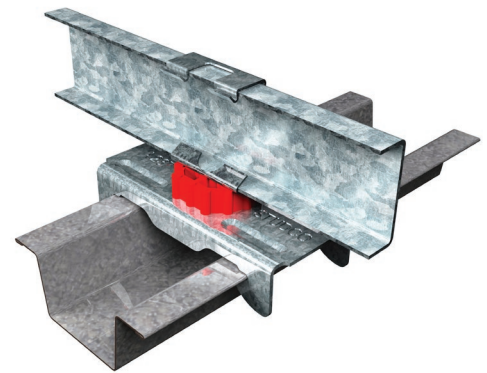
Furring Channel to CRC Sound Isolation Clip

Installation Instructions



A237CR SPECIFICATIONS

Width: 1-3/8"
Height (including rubber): 2-11/16"
Length: 3-3/16"



COLD ROLLED CHANNEL SPECIFICATIONS:

16 Gauge
Depth: 1/2"
Width: 1 1/2"
 Request from Studco
 Building Systems: **CRC-11216**



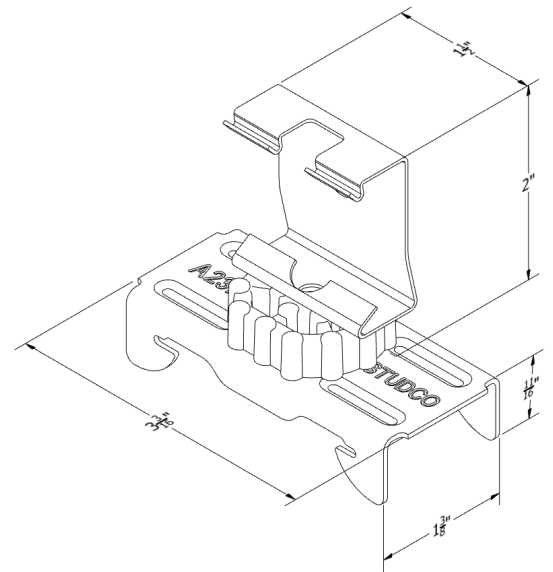
Part No.	Description	Length	Stock Pack	Approx. LB/Ft.
16 Gauge(54 Mils)				
CRC-11216	1 1/2" CRC Channel		100	0.4234

*When choosing your cold rolled channel, be sure that it is all right angles.



FURRING CHANNEL SPECIFICATIONS:

Minimum: 25 Gauge with hemmed edge
Depth: 7/8" or 1 1/2" (32 mil.)
Width at top: 1 1/4" (32 mil.)
Width flange to flange: Min. 2 1/2"



Part No.	Equivalent	Description	Length	Stock Pack	Approx. LB/Ft.
25 Gauge(18 Mils)					
FC-7825	087F125-18	7/8" Furring Channel	12	500	0.2597
FC-11225	150F125-18	1-1/2" Furring Channel	12	500	0.3324
20 Gauge(30 Mils)					
FC-7820	087F125-30	7/8" Furring Channel	12	500	0.3659
FC-11220	150F125-30	1-1/2" Furring Channel	12	500	0.4723



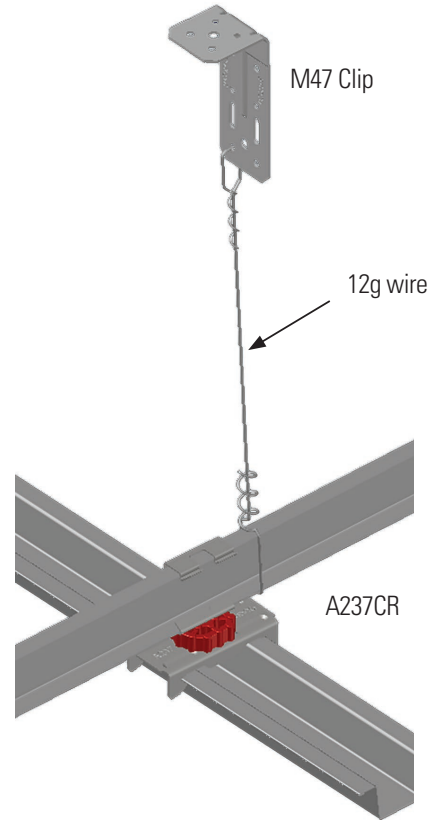
HANGER WIRES

When installed, hanger wire shall not exceed 48" on center. Install the wires so that they hang plumb with the Cold Rolled Channel. To not cause lateral force on the 1-1/2" (38 mm) Cold Rolled Channel. Install Cold Rolled Channel at the elevation required using a Double saddle tie. Change the side and direction of the double saddle tie on every other wire, so as to restrict the rollover effect on the 1-1/2" (38mm) Cold Rolled Channel.



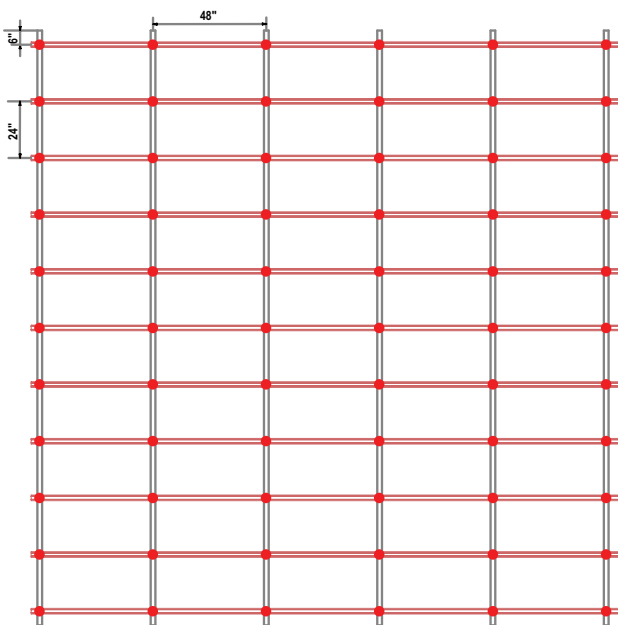
CEILING INSTALLATION GUIDE

- Space the A237CR a maximum 24 inches x 48 inches on center.
- Snap the A237CR to the cold rolled channel
- Space the clips on the perimeters of the ceiling 6" away from the wall.
- Fasten to the cold rolled channel to the ceiling using a minimum 12 gauge wire. If a hanger bracket is needed we recommend using our M47 right angled bracket.



LAYOUTS

CR CLIPS AT 24" x 48" OC



CR CLIPS AT 16" x 48" OC

